

<b>SUBMITTAL DATA SHEET</b>	<b>CH-M24DTUI</b>	<b>CH-HYP24SHP230VO</b>
-----------------------------	-------------------	-------------------------

Job Name: .....  
 Location: .....  
 Engineer: .....  
 Submitted to: .....  
 Submitted by: .....  
 Reference: .....

Date: .....  
 Approval: .....  
 Construction: .....  
 Unit #: .....  
 Drawing #: .....



Heating/ Cooling	Outdoor Dry Bulb	Indoor Dry Bulb	Unit	Min	Rated	Max
Heating	5°F	70°F	Btu/h	4,674	-	28,278
			kW	0.91	-	4.44
			COP	1.51	-	1.87
	17°F	70°F	Btu/h	6,179	17,200	25,245
			kW	0.94	1.97	4.09
			COP	1.93	2.56	1.81
	47°F	70°F	Btu/h	11,908	24,000	30,298
			kW	0.7	1.85	3.09
			COP	4.99	3.8	2.87
Cooling	82°F	80°F	Btu/h	7,981	-	26,153
			kW	0.19	-	1.61
			COP	12.31	-	4.76
	95°F	80°F	Btu/h	5,599	24,000	25,781
			kW	0.47	1.92	2.82
			COP	3.49	3.66	2.68

This warranty should be registered on our web-site [www.cooperandhunter.us](http://www.cooperandhunter.us) within 60 days of installation. The warranty is only valid when installed by a Licensed HVAC Technician. A warranty period of Seven (7) years on compressor to the original registered end-user. A warranty period of Five (5) years on all parts to the original registered end user. Warranty applies only to products remaining in their original installation location.

### INDOOR SPECIFICATION

Air Flow (Hi/Mi/Lo)	776/694/435 CFM
Noise Level (Hi/Mi/Lo)	44/41/38 dB(A)
Unit Dimension (WxDxH)	43.31x30.47x9.8 in
Net/Gross Weight	86.86/102.95 lb

### OUTDOOR SPECIFICATION

Air flow	2354 CFM
Noise Level	60 dB(A)
Dimension (WxDxH)	37.24x16.14x31.89 in
Net/Gross weight	135.58/148.81 lb
Refrigerant type/Quantity	R410A/97.1 oz
Refrigerant precharge	25 ft
Additional charge for each ft	0.32 oz

### PERFORMANCE AND EFFICIENCY

Cooling		Heating	
24,000 Btu/h		24,000 Btu/h	
SEER	20.5	HSPF Region IV	12.5
EER	12.5		

### OPERATION TEMPERATURE RANGE

Indoor		Outdoor	
cooling	heating	cooling	heating
62~90°F	32~86°F	-22~122°F	-22~86°F

### ELECTRICAL

Power supply	208-230V/ 60Hz, 1Ph
MCA	20 A
MFA	30 A

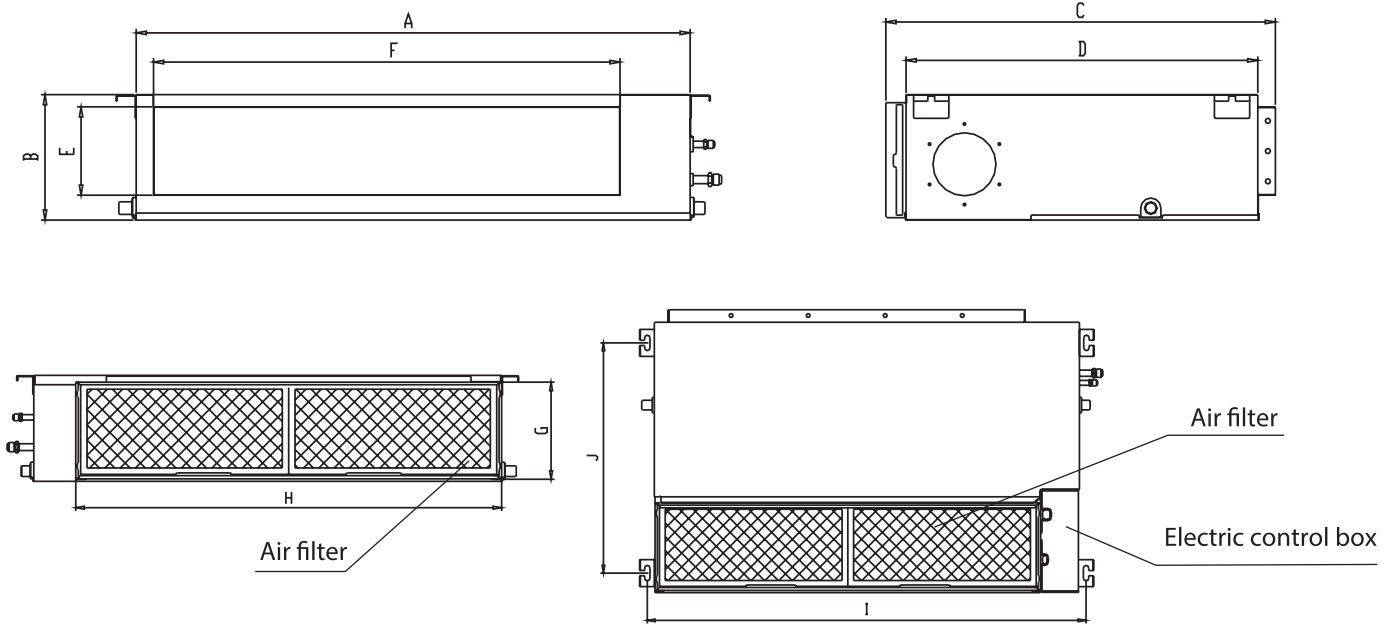
**MCA:** Minimum Circuit Ampacity **MFA:** Max. fuse A

### PIPING

Refrigerant piping Liquid side/Gas side	3/8 - 5/8 in
Max. refrigerant pipe length	164 ft
Max. difference in level	82 ft

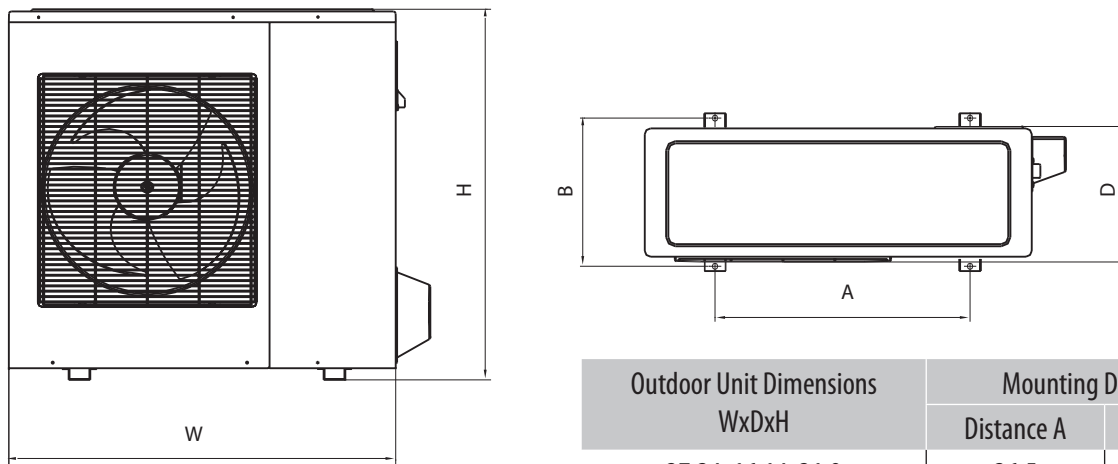
SUBMITTAL DATA SHEET	CH-M24DTUI	CH-HYP24SHP230V0
----------------------	------------	------------------

### INDOOR UNIT



Outline dimension				air outlet opening size		air return opening size		Size of mounted lug	
A	B	C	D	E	F	G	H	I	G
43.31	9.8	30.47	27.6	6.9	36.5	8.9	39.4	44,9	23.5

### OUTDOOR UNIT



Outdoor Unit Dimensions WxDxH	Mounting Dimensions	
	Distance A	Distance B
37.24x16.14x31.9	26.5	15.87